

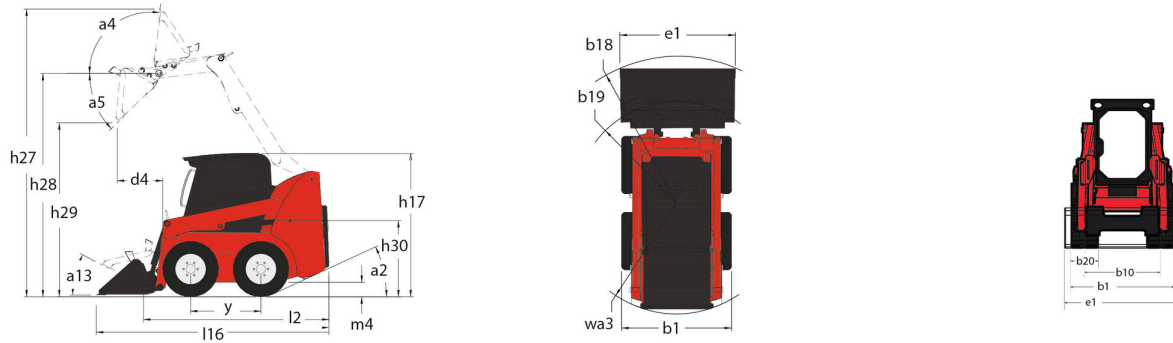
Technical sheet :

2200 R



Technical characteristics		Imperial
Wheelbase	y	43 in
Capacities		
Rated Operating Capacity		2200 lbs
Rated Operating Capacity with Optional Counterweight		2370 lbs
Fuel tank		18 US gal
Reservoir Capacity		8 US gal
Displacement		1 US gal
Weight and dimensions		
Overall Operating Height - Fully Raised	h27	161 in
Overall Height to Top of ROPS	h17	81 in
Overall length with bucket	l16	136 in
Dump height	h29	94 in
Dump reach - Full height		27 in
Seat to ground height	h30	40 in
Overall width less bucket	b1	66 in
Overall length - Less Bucket	l2	105 in
Clearance Circle - Rear	wa1	60 in
Height to Hinge Pin - Fully Raised	h28	123 in
Bucket Width	e1	70 in
Clearance Circle - Front with Bucket	b18	88 in
Clearance Circle - Front without Bucket	b19	52 in
Dump angle at full height	a5	40 °
Unladen weight		7981 lbs
Ground clearance	m4	666 ft
Standard tyres		12.00x16.5 HD
Performances		
Travel Speed with Two-Speed Option - Maximum		12 mph
Travel speed (unladen)		8 mph
Engine		
Engine model		4TNV88CTNMS
Max. torque / Engine rotation		294 Nm at 2500 rpm
Starter (kW)		3 kW
Gross Power (kW)		53.70 kW
Net Power (kW)		52.70 kW
Engine brand		Yanmar
Battery		12 V
Alternator		95 kW
Hydraulics		
Reservoir Capacity Hydraulics		8 US gal
High-Flow Auxiliary Hydraulics - Option		132.50 l/min
Auxiliary Hydraulic Pressure		3300 PSI
Standard flow - Auxiliary hydraulics		90 l/min
High-Flow Auxiliary Hydraulics Pressure - Option		3200 PSI
Noise and vibration		
Environmental noise (LWA)		101 dB(A)
Whole-Body Vibration (ISO 2631-1)		0.96 m/s ²
Vibration to whole hand/arm		1.50 m/s ²
Miscellaneous		
Noise at driving position (LpA)		85 dB(A)
Departure angle	a2	25 °

2200 R - Dimensional drawing



Equipment

—	
Integral Access Plate (removable)	Standard
Lifting function	
All-Tach® Attachment Mounting System	Standard
Auxiliary Hydraulics	Standard
Power-A-Tach® Attachment Mounting System	Optional
Lighting	
Work Lights - Front and Rear	Standard
Motorization/Power	
Engine Auto-Shutdown System	Standard
Engine Block Heater	Optional
Turbo-Charged Engine	Standard
Two-Speed Drive	Optional
Operator station	
Adjustable Arm Rests / Control Towers 1	Standard
Air conditioning with manual adjustment	Optional
Air suspension seat	Optional
Cab Enclosure	Optional
Dual-Hand Controls	Optional
Foot and Hand Throttles 2	Standard
Gehl T-Bar Controls	Optional
Hand/Foot Controls	Optional
Heating	Optional
High-Back Adjustable Seat	Standard
Hom	Standard
Joystick controls	Optional
ROPS/FOPS Level II Overhead Guard	Standard
Sound Reduction Material	Standard
Suspension Seat - Mechanical	Optional
Other options	
Hydrostatic Drive - Servo	Standard
Selectable Self-Leveling Hydraulic Lift Action 4	Optional
Safety	
Anti-Vandalism Protection	Standard
Back-Up Alarm	Optional
Brake Control (Auto / Manual)	Standard
Hydraloc™ Safety System	Standard
Lift Arm Support Device	Standard
Operator Restraint Bar	Standard
Secondary functions	
Counterweight	Optional
Full Instrumentation	Standard
Hydraglide™ Ride Control 3	Optional



Siège Social

430 rue de l'Aubinière - 44150 Ancenis Cedex - France

Tel: +33(0)2 40 09 10 11 - Fax: +33 (0)2 40 09 10 97

www.manitou.com



This brochure describes versions and configuration options for Manitou products which may be fitted with different equipment. The equipment described in this brochure may be standard, optional or not available depending on version. Manitou reserves the right to change the specifications shown and described at any time and without prior warning. The manufacturer is not liable for the specifications given. For more information, contact your Manitou dealer. Non-contractual document. Product descriptions may differ from actual products. List of specifications is not comprehensive. The logos and visual identity of the company are the property of Manitou and may not be used without authorisation. All rights reserved. The photos and diagrams contained in this brochure are provided for information only.

MANITOU BF SA - Limited company with board of directors - Share capital: 39,668,399 euros - 857 802 508 RCS Nantes