

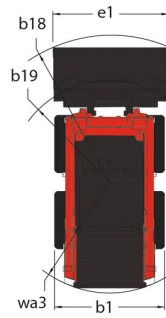
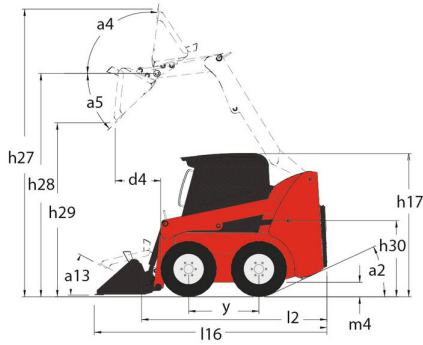
Technical sheet :

1050 R



Technical characteristics		Imperial
Wheelbase	y	34 in
Capacities		
Rated Operating Capacity		1049 lbs
Rated Operating Capacity with Optional Counterweight		1175 lbs
Fuel tank		10 US gal
Reservoir Capacity		8 US gal
Displacement		0 US gal
Weight and dimensions		
Overall Operating Height - Fully Raised	h27	140 in
Overall Height to Top of ROPS	h17	70 in
Overall length with bucket	l16	114 in
Dump height	h29	84 in
Dump reach - Full height		23 in
Seat to ground height	h30	33 in
Overall width less bucket	b1	48 in
Overall length - Less Bucket	l2	89 in
Clearance Circle - Rear	wa1	54 in
Clearance Radius - Front with Bucket	b18	69 in
Height to Hinge Pin - Fully Raised	h28	108 in
Bucket Width	e1	55 in
Clearance Circle - Front without Bucket	b19	44 in
Dump angle at full height	a5	42 °
Unladen weight		4200 lbs
Ground clearance	m4	6 in
Standard tyres		27x8.5x15 HD
Performances		
Travel speed (unladen)		6 mph
Engine		
Engine model		3TNV88C-KMS
Max. torque / Engine rotation		108 Nm at 2800 rpm
Starter (kW)		2.30 kW
Gross Power (kW)		25.50 kW
Net Power (kW)		24.70 kW
Engine brand		Yanmar
Battery		12 V
Alternator		40 kW
Hydraulics		
Reservoir Capacity Hydraulics		8 US gal
Auxiliary Hydraulic Pressure		2750 PSI
Standard flow - Auxiliary hydraulics		55.10 l/min
Noise and vibration		
Environmental noise (LwA)		101 dB(A)
Whole-Body Vibration (ISO 2631-1)		0.81 m/s ²
Vibration to whole hand/arm		0.93 m/s ²
Miscellaneous		
Noise at driving position (LpA)		80 dB(A)
Departure angle	a2	26 °

1050 R - Dimensional drawing



Equipment

—	
Integral Access Plate (removable)	Standard
Lifting function	
All-Tach® Attachment Mounting System	Standard
Auxiliary Hydraulics	Standard
Lighting	
Work Lights - Front and Rear	Standard
Motorization/Power	
Engine Block Heater	Standard
Operator station	
Cab Enclosure	Optional
Foot and Hand Throttles 2	Standard
Gehl T-Bar Controls	Standard
Hand/Foot Controls	Standard
Heating	Optional
High-Back Adjustable Seat	Standard
Hom	Optional
ROPS/FOPS Level II Overhead Guard	Standard
Sound Reduction Material	Standard
Suspension Seat - Mechanical	Optional
Other options	
Hydrostatic Drive - Servo	Standard
Selectable Self-Leveling Hydraulic Lift Action 4	Optional
Safety	
Anti-Vandalism Protection	Standard
Back-Up Alarm	Optional
Brake Control (Auto / Manual)	Standard
Hydraloc™ Safety System	Standard
Lift Arm Support Device	Standard
Operator Restraint Bar	Standard
Secondary functions	
Counterweight	Optional
Full Instrumentation	Standard



Siège Social

430 rue de l'Aubinière - 44150 Ancenis Cedex - France

Tel: +33(0)2 40 09 10 11 - Fax: +33 (0)2 40 09 10 97

www.manitou.com



This brochure describes versions and configuration options for Manitou products which may be fitted with different equipment. The equipment described in this brochure may be standard, optional or not available depending on version. Manitou reserves the right to change the specifications shown and described at any time and without prior warning. The manufacturer is not liable for the specifications given. For more information, contact your Manitou dealer. Non-contractual document. Product descriptions may differ from actual products. List of specifications is not comprehensive. The logos and visual identity of the company are the property of Manitou and may not be used without authorisation. All rights reserved. The photos and diagrams contained in this brochure are provided for information only.

MANITOU BF SA - Limited company with board of directors - Share capital: 39,668,399 euros - 857 802 508 RCS Nantes