

Technical sheet :

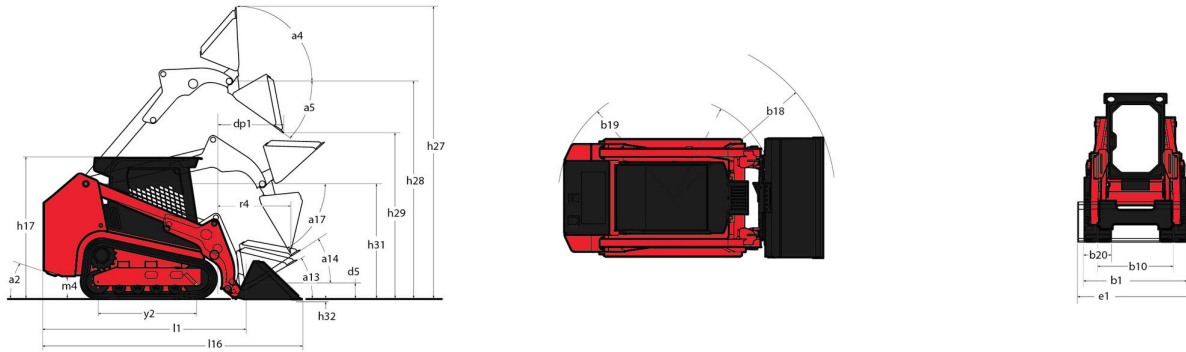
# **1050 RT**

---



Capacities		Imperial
Operating Weight		4720 lbs
Unladen weight		4251 lbs
Operating Capacity at 35% Tipping Load		1049 lbs
Operating Capacity At 50% Tipping Load		1499 lbs
Tipping capacity		3000 lbs
Weight and dimensions		
Overall Operating Height - Fully Raised	h27	144 in
Height to Hinge Pin – Fully Raised	h28	109 in
Reach - Fully Raised	dp1	26 in
Dump angle at full height	a5	38 °
Dump Height - Fully Raised	h29	84 in
Maximum Rollback Angle - Fully Raised	a4	102 °
Overall Height to Top of ROPS	h17	71 in
Overall length with bucket	l16	118 in
Overall Length without Bucket	l1	89 in
Specified Height	h31	58 in
Reach at Specified Height	r4	39 in
Dump angle at specified height	a17	72 °
Maximum Rollback Angle at Ground	a13	32 °
Carry Position	d5	5 in
Maximum Rollback Angle at Carry Position	a14	32 °
Digging Position	h32	0 in
Angle of Departure with STD Counterweight		35 °
Ground clearance	m4	8 in
Track gauge	b10	41 in
Track Shoe Width	b20	10 in
Crawler base	y2	51 in
Overall width less bucket	b1	51 in
Bucket Width	e1	54 in
Clearance Radius - Front with Bucket	b18	73 in
Clearance Circle - Rear	wa1	51 in
Maximum rollback at specified height		72 °
Angle of Approach	a3	90 °
Grouser Height		1 in
Track Type / Track Rollers / Roller Type		Rubber / 4 / Steel
Performances		
Ground Speed - Single Speed		6 mph
Drawbar Pull/Tractive Effort		4400 lbs
Bucket Breakout - Tilt Cylinder		2967 lbs
Bucket Breakout - Lift Cylinder		3034 lbs
Engine		
Engine brand		Yanmar
Engine model		3TNV88C-KMS
Motor Type		Radial Piston
Gross Power (kW) / Gross Power		25.50 kW / 2800 rpm
Net Power (kW) / Net Power		23.70 kW / 2800 rpm
Max. torque		109.40 Nm
Battery		12 V
Cold Cranking Amps at Temperature (CCA)		800 A
Alternator - Voltage / Ampere		12 V / 55 A
Hydraulics		
Standard flow - Auxiliary hydraulics		55 l/min
Tank capacities		
Oil Pan Capacity		2 US gal
Hydraulic tank capacity		8 US gal
Fuel tank		10 US gal
Coolant system capacity		2 US gal
Displacement / Number of cylinders		0 US gal / 3
Noise and vibration		
Environmental noise (LwA)		101 dB(A)
Noise at driving position (LpA)		85.80 dB(A)
Miscellaneous		
Ground Pressure		5 PSI

## 1050 RT - Dimensional drawing



## Equipment

<b>Lifting function</b>	
All-Tach® Attachment Mounting System	Standard
Auxiliary Hydraulics	Standard
IdealTrax™ Automatic Track Tensioning System	Standard
<b>Motorization/Power</b>	
Combination Radiator & Hydraulic Oil Cooler	Standard
Dual-Element Air Cleaner with Indicator	Standard
Engine Auto-Shutdown System	Optional
Glowplugs Starts Assist	Standard
<b>Operator station</b>	
Full-Suspension Seat	Optional
Multi-Function Display Screen	Standard
ROPS/FOPS Level II Overhead Guard	Standard
<b>Other options</b>	
Selectable Self-Leveling Hydraulic Lift Action 4	Optional
<b>Safety</b>	
Anti-Vandalism Protection	Standard
Back-Up Alarm	Standard
Easy Manager	Standard
Engine Alert System with Error Display	Standard
<b>Secondary functions</b>	
Counterweight	Standard



Siège Social

430 rue de l'Aubinière - 44150 Ancenis Cedex - France

Tel: +33(0)2 40 09 10 11 - Fax: +33 (0)2 40 09 10 97

[www.manitou.com](http://www.manitou.com)



This brochure describes versions and configuration options for Manitou products which may be fitted with different equipment. The equipment described in this brochure may be standard, optional or not available depending on version. Manitou reserves the right to change the specifications shown and described at any time and without prior warning. The manufacturer is not liable for the specifications given. For more information, contact your Manitou dealer. Non-contractual document. Product descriptions may differ from actual products. List of specifications is not comprehensive. The logos and visual identity of the company are the property of Manitou and may not be used without authorisation. All rights reserved. The photos and diagrams contained in this brochure are provided for information only.

MANITOU BF SA - Limited company with board of directors - Share capital: 39,668,399 euros - 857 802 508 RCS Nantes