

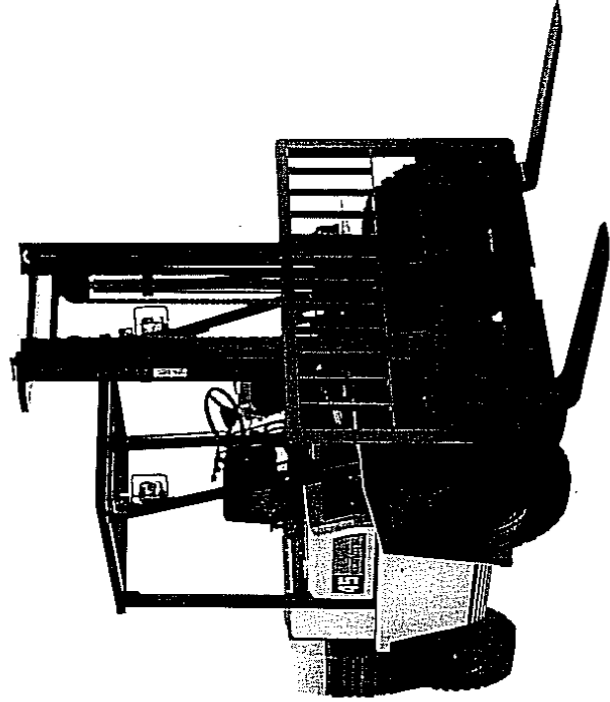


ZC SPECIFICATIONS

Forklift Truck
Pneumatic Tires
Diesel/Gas/LPG

FG45T-5 FD45T-5 FD45T2-5

USA Components



MAST DATA

Maximum Fork Height In. (mm)	Overall Height Lowered In. (mm)	Overall Height Extended In. (mm)	Free Lift In. (mm)	Load Capacities** Lbs. (kg)
118 (3000)	86.6 (2200)	166 (4216)		
130 (3300)	92.5 (2350)	178 (4521)		
146 (3700)	100.4 (2550)	194 (4928)	6.7 (170)	10,000 (4536)
157 (4000)	108.3 (2750)	205 (5207)		
169 (4300)	114.2 (2900)	217 (5512)		

MODEL 2-STAGE VIEW MAST

118 (3000)	86.6 (2200)	166 (4216)		
130 (3300)	92.5 (2350)	178 (4521)		
146 (3700)	100.4 (2550)	194 (4928)	6.7 (170)	10,000 (4536)
157 (4000)	108.3 (2750)	205 (5207)		
169 (4300)	114.2 (2900)	217 (5512)		

MAST DATA

Maximum Fork Height In. (mm)	Overall Height Lowered In. (mm)	Overall Height Extended In. (mm)	Free* Lift In. (mm)	Load Capacities** Lbs. (kg)
118 (3000)	86.6 (2200)	152.4 (3870)	54.7 (1390)	
130 (3300)	92.5 (2350)	164.2 (4170)	60.6 (1540)	10,000 (4536)

MODEL 2-STAGE FULL VIEW MAST*

118 (3000)	86.6 (2200)	152.4 (3870)	54.7 (1390)	
130 (3300)	92.5 (2350)	164.2 (4170)	60.6 (1540)	10,000 (4536)

MAST DATA

Maximum Fork Height In. (mm)	Overall Height Lowered In. (mm)	Overall Height Extended In. (mm)	Free* Lift In. (mm)	Load Capacities** Lbs. (kg)
157 (4000)	82.9 (2105)	205 (5207)	50.4 (1280)	10,000 (4545)
169 (4300)	86.8 (2205)	217 (5512)	54.3 (1380)	9,700 (4400)
185 (4700)	92.7 (2355)	233 (5918)	60.2 (1530)	9,260 (4200)
197 (5000)	96.7 (2455)	245 (6223)	64.2 (1630)	9,040 (4100)

MODEL 3-STAGE FULL VIEW MAST*

157 (4000)	82.9 (2105)	205 (5207)	50.4 (1280)	10,000 (4545)
169 (4300)	86.8 (2205)	217 (5512)	54.3 (1380)	9,700 (4400)
185 (4700)	92.7 (2355)	233 (5918)	60.2 (1530)	9,260 (4200)
197 (5000)	96.7 (2455)	245 (6223)	64.2 (1630)	9,040 (4100)

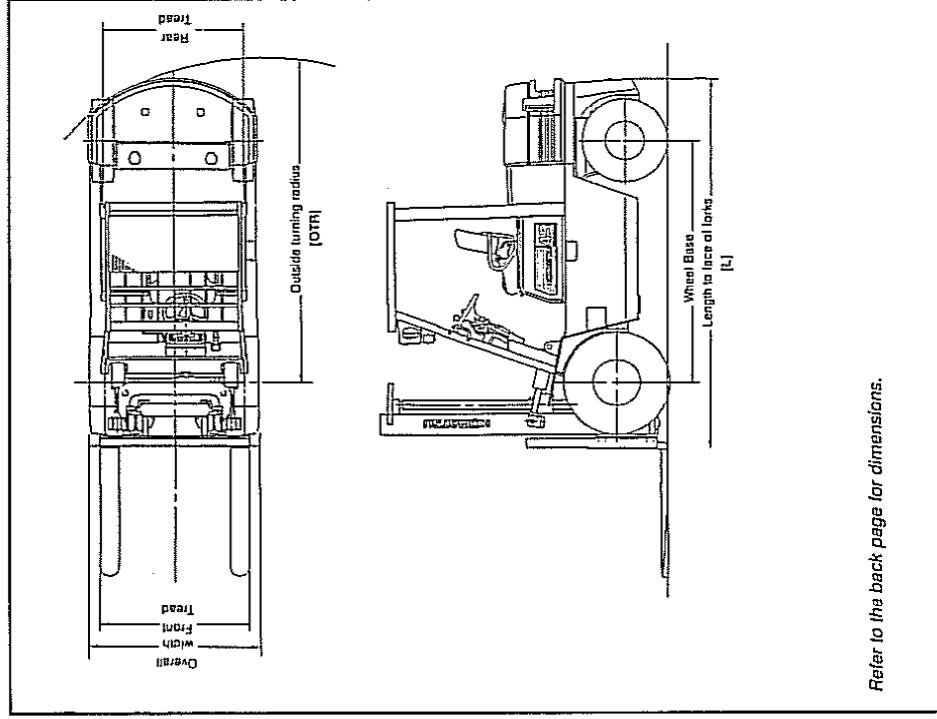
*Free lift shown is for trucks without load backrest extensions. Reduce 17.71 in (450mm) from free lift height with load backrest.

**Load capacity at 24 inches (610 mm) load center.

Performance specification are affected by the condition of the vehicle and how it is equipped as well as the nature and condition of the operating area. If these specifications are critical, please discuss the propose application with your distributor or dealer.

STANDARD EQUIPMENT

- Headlights
- Turn signal lamps
- Stop and tail lamps
- Back up lamps
- Fuel gauge
- Water temperature gauge
- Hourmeter
- Charge warning lamp
- Engine oil pressure warning lamp
- Torque converter oil cooler (TORQFLOW type)
- Sedimenter (Diesel)
- Engine key stop (Diesel)
- High air intake
- Hydrostatic Power Steering (FHPS)



Refer to the back page for dimensions.

NOTE: Some items and components shown in the photo may be optional equipment.

TRUCK DATA

GENERAL SPECIFICATIONS

Model	FG45T-5	FD45T-5	FD45T2-5
Capacity @24-in. (610 mm) load center	10000 (4536)	10000 (4536)	10000 (4536)
Power plant type	GASOLINE	DIESEL	DIESEL
Service weight	13870 (6290)	13980 (6340)	14090 (6391)
DIMENSIONS			
Height to overhead guard	92.5 (2350)	92.5 (2350)	92.5 (2350)
Length to face of forks (2-stage mast) [L]	122.8 (3120)	122.8 (3120)	122.8 (3120)
Length to face of forks (3-stage mast) [L]	122.6 (3115)	122.6 (3115)	122.6 (3115)
Overall width	74.4 (1890)	74.4 (1890)	74.4 (1890)
Tilting angle, 2-stage masts (lwd/back)	6/12	6/12	6/12
Tilting angle, 3-stage masts (lwd/back)	6/6	6/6	6/6
Outside turning radius [OTR]	110.2 (2800)	110.2 (2800)	110.2 (2800)
Load dist. from center axle (2-stage)	21.5 (545)	21.5 (545)	21.5 (545)
Load dist. from center axle (3-stage)	21.3 (540)	21.3 (540)	21.3 (540)
Right angle stacking aisle (2-stage masts) + load	131.7 (3345)	131.7 (3345)	131.7 (3345)
Right angle stacking aisle (3-stage masts) + load	131.5 (3340)	131.5 (3340)	131.5 (3340)
PERFORMANCE			
Max. travel speed, forward, loaded	1st speed	11.5 (18.5)	13.0 (21.0)
	2nd speed	—	—
Max. travel speed, forward, unloaded	1st speed	11.8 (19.0)	13.7 (22.0)
	2nd speed	—	—
Lifting speeds, loaded/unloaded (2-stage)	lpm (mm/s)	73/79 (370/400)	85/91 (430/460)
	lpm (mm/s)	70/75 (355/380)	81/87 (410/440)
Lowering speed, loaded/unloaded (2-stage)	lpm (mm/s)	89/89 (450/450)	89/89 (450/450)
	lpm (mm/s)	73/65 (370/330)	73/65 (370/330)
Lowering speed, loaded/unloaded (3-stage)	lpm (mm/s)	60/60 (2750)	59/60 (2700)
	lbs. (kg)	23/21	22/21
Gradeability, loaded/unloaded	percent (%)	23/21	22/21
	percent (%)	—	—
CHASSIS AND WHEELS			
Tire size, front	8.25 x 15-12PR Dual		
Tire size, rear	7.00-12-12PR		
Wheelbase	78.7 (2000)		
Tread (center of tires), front/rear	54.5/44.1 (1385/1120)		
Ground clearance under mast	5.5 (140)		
Ground clearance center of frame	8.7 (220)		
Service brake type	HYDRAULIC		
Parking brake type	MECHANICAL		
Steering type	F.H.P.S.		
POWER TRAIN			
Engine model	P40		
Rated power (SAE gross)	hp (kW) @rpm		
Max. torque (SAE gross)	lb-ft (kg-m) @rpm		
No. of cylinder/displacement	cu. in. (cm3)		
Cylinder bore X stroke	in. (mm)		
Fuel tank capacity	U.S. gallons (liters)		
Air cleaner type	CYCLONE		
Battery voltage/capacity (20-hour rating)	v/Ah		
Clutch type	TORQUE CONVERTER		
Transmission type	TOROFLOW		
Maximum hydraulic pressure	psi (kg/cm2)		
Hydraulic tank capacity	U.S. gallons (liters)		

ANSI and Insurance Classification
Overhead guard on standard truck meets all applicable mandatory requirements of Part II-ANSI B 56.1 1988 Safety Standard for Powered Industrial Trucks. Underwriters Laboratories requirements as to fire hazard only for G, GS, LP, LPS and D classification available.

NOTE
Most values shown in this publication are rounded. Therefore, direct conversion between metric and English or Imperial may be slightly different from those shown. Specifications are subject to improvements and changes without notice.

Komatsu Owns and Operates Manufacturing Facilities in Buena Park, Calif. and La Palma, Calif. and has significantly contributed to the community. PRINTED IN THE U.S.A.



FORKLIFT [U.S.A.] INC.

14815 Firestone Blvd., La Mirada, CA 90638
Telephone 213-802-1312/FAX 714-670-0229