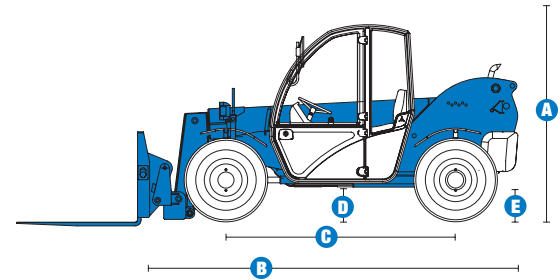


# Specifications

MODEL		GTH™-5519	
MEASUREMENTS	US	Metric	
Maximum lift height	18 ft 10 in	5.74 m	
Reach	11 ft 3 in	3.43 m	
Reach at maximum height	1 ft 10 in	0.56 m	
<b>A</b> Height, stowed	6 ft 6 in	1.98 m	
<b>B</b> Length, stowed (without forks)	12 ft 3 in	3.73 m	
Width	5 ft 11 in	1.80 m	
<b>C</b> Wheelbase	7 ft 6 in	2.29 m	
<b>D</b> Ground clearance, center	1 ft 2 in	0.36 m	
<b>E</b> Ground clearance, axle	10 in	0.25 m	
Fork cross section	1.6 x 4 in	40 x 100 mm	



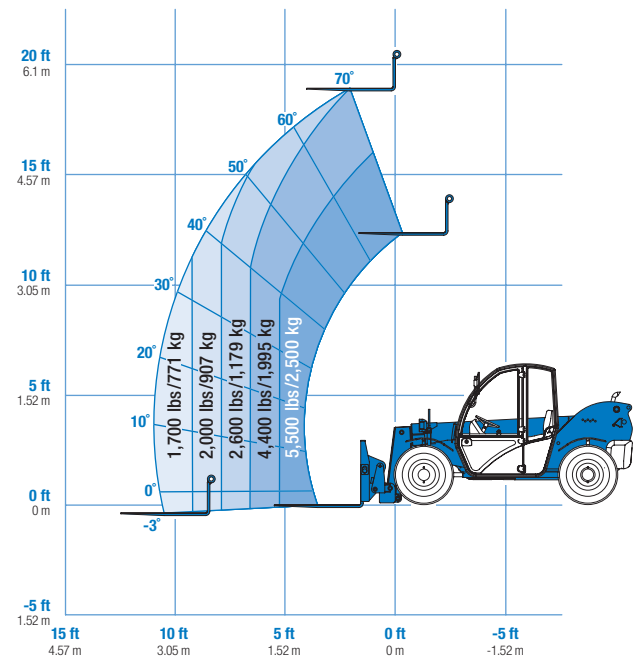
PRODUCTIVITY		
Maximum lift capacity	5,500 lbs	2,500 kg
Lift capacity at maximum height	4,400 lbs	1,996 kg
Lift capacity at maximum reach	1,700 lbs	771 kg
Drive speed	15 mph	24.1 km/h
Draw bar pull	10,250 lbs	4,649 kg
Turning radius, inside (4WS)	5 ft 6 in	1.68 m
Turning radius, outside (4WS)	11 ft	3.35 m
Auxiliary hydraulic flow	17 gpm	64 lpm
Auxiliary hydraulic pressure	3,918 psi	270 bar
Tires, standard size	12 x 16.5 in, 10 ply	

POWER		
Power source	Deutz F4M2011 4 cylinder diesel 63 hp (47.0 kW)	
Hydraulic tank capacity	18.5 gal	70 L
Hydraulic system capacity (w/tank)	31.7 gal	120 L
Fuel tank capacity	15.8 gal	59.8 L

WEIGHT		
Weight*	10,000 lbs	4,536 kg

STANDARDS COMPLIANCE	ASME B 56.6, ISO 3471, ISO 3449
----------------------	---------------------------------

## RANGE OF MOTION GTH™-5519\*\*



\* Weight will vary depending on options and/or country standards.  
 \*\* Load ratings vary depending on attachment.

## Features

### STANDARD FEATURES

#### MEASUREMENTS

- 5,500 lb (2,500 kg) maximum lift capacity
- 18 ft 10 in (5.74 m) maximum lift height
- 11 ft 3 in (3.43 m) maximum reach

#### PRODUCTIVITY

- 4WD
- 4WS
- Three steering modes: 2-wheel, 4-wheel coordinated and 4-wheel crab
- Power assisted steering
- Variable speed hydrostatic drive
- Genie hydraulic quick attach
- Limited slip front axle differential
- Internal multiple wet disc brakes
- Spring applied, hydraulic release emergency parking brake
- 12 x 16.5 in air-filled tires
- Fenders (set of 4)
- ROPS/FOPS canopy (ISO compliant)
- Multi-function joystick controller
- Fully hydraulic proportional boom controls
- Tilt steering column
- Retractable seat belt
- Machine level indicator
- Right-side screen guard
- Auxiliary hydraulic circuit
- 48 inch carriage
- 48 inch pallet forks
- Boom angle indicator

#### POWER

- Deutz 63 hp Tier II diesel engine
- Cold start intake glow plug

### OPTIONS & ACCESSORIES

#### PRODUCTIVITY

- Enclosed cab, includes door, clip-in glass inserts, front wiper and tank, cab heater
- Cab air conditioner
- Adjustable suspension seat
- 3 in retractable seat belt
- Foam-filled tires
- Flashing beacons
- Work lights

#### ATTACHING SYSTEM OPTIONS

- Universal attach adapter

#### ATTACHMENT OPTIONS

- Carriages
  - 48 in (1.22 m) side shift carriage
  - 48 in (1.22 m) rotating fork carriage
- Forks (in addition to standard 48 in pallet forks)
  - 60 in (1.52 m) forks
  - 48 in (1.22 m) forks (ITA type)
  - Cubing tines, 2 x 2 x 48 in (.05 x .05 x 1.22 m)
- Buckets
  - 66 in bucket with bolt-on cutting edge, .50/.65 yd<sup>3</sup> struck/heaped
  - 60 in bucket with bolt-on cutting edge, .65/.75 yd<sup>3</sup> struck/heaped
  - 78 in scrap grapple bucket
- 6 ft truss boom



### Genie United States

18340 NE 76th Street  
P.O. Box 97030  
Redmond, Washington 98073-9730

Telephone **(425) 881-1800**  
Toll Free in USA/Canada **800-536-1800**  
Fax (425) 883-3475

### Genie Europe

The Maltings,  
Wharf Road  
Grantham NG31 6BH  
U.K.

Telephone **+44 (0)1476 584333**  
Fax +44 (0)1476 584334

Email: [infoeurope@genieind.com](mailto:infoeurope@genieind.com)

### Distributed By:

For further information, please contact your local distributor or the Genie Industries sales office listed. Product specifications are subject to change without notice or obligation. The photographs and drawings in this brochure are for illustrative purposes only. Refer to the appropriate Operator's Manual for instructions on the proper use of this equipment. Failure to follow the appropriate Operator's Manual when using our equipment or to otherwise act irresponsibly may result in serious injury or death. Prices and specifications subject to change without notice. The only warranty applicable is the standard written warranty applicable to the particular product and sale. Genie makes no other warranty, expressed or implied. Products and services listed may be trademarks, service marks or trade-names of Terex Corporation and/or its subsidiaries in the USA and other countries and all rights are reserved. Copyright © 2006 Genie Industries, Inc. "Genie" is a Registered Trademark of Genie Industries, Inc. in the USA and many other countries. Genie is a Terex Company.