



# TEREX®

# GTH-844

## Telehandler

|                              |                                   |
|------------------------------|-----------------------------------|
| <b>OPERATING WEIGHT</b>      | 22,500 lbs<br>(10,206 kg)         |
| <b>NET ENGINE POWER</b>      | 99 or 100 hp<br>(73.8 or 74.6 kW) |
| <b>MAXIMUM LIFT CAPACITY</b> | 8,000 lbs<br>(3,629 kg)           |
| <b>MAXIMUM LIFT HEIGHT</b>   | 44'<br>(13.41 m)                  |



# TELEHANDLER GTH-844

### Specifications

#### Performance

|                                 |                        |
|---------------------------------|------------------------|
| Operating weight with forks     | 22,500 lbs (10,206 kg) |
| Outside turn radius             | 14' 9" (4.50 m)        |
| Maximum drawbar pull            | 19,200 lbs (8,709 kg)  |
| Maximum lifting height          | 42' (12.8 m)           |
| Reach at maximum height         | 3' (0.91 m)            |
| Maximum forward reach           | 25' (7.62 m)           |
| Maximum lift capacity           | 8,000 lbs (3,629 kg)   |
| Lift capacity at maximum height | 6,000 lbs (2,722 kg)   |
| Lift capacity at maximum reach  | 2,000 lbs (907 kg)     |

#### Steering

Power assisted steering

Three steering modes: 2-wheel, 4-wheel coordinated, and 4-wheel crab

#### Engine

John Deere 4045TF270 / Deutz BF4 2012 / Perkins 1104-44T

4 cylinders turbocharged diesel

Power @ 2,500 rpm 99 hp (73.8 kW) / 100 hp (74.6 kW)

Tier II Compliant

#### Transmission

3 speed Powershift/torque converter

4-wheel drive

Front axle differential lock (std)

Maximum speed 18 mph (29 km/h)

#### Brakes

Inboard multiple wet disc

# Telehandler GTH-844

## Specifications

| Sway Control - Frame Leveling                                |   |
|--|---|
| Circuit isolated cylinders, 10 degrees either side of center |   |
| Frame Stabilizer   |   |
| Twin rear axle lock cylinders                                |   |
| Hydraulic System   |   |
| Pressure compensated hydraulic system                        |   |
| Variable-displacement axial piston pump                      |   |
| 10 Micron filtration   |   |
| Auxiliary hydraulic circuit                                  | 3-7 gpm (11-26 Lpm) / 3,000 psi (207 bar) |
| Tank Capacities  |   |
| Fuel tank capacity   | 30 gal (114 L)                            |
| Hydraulic tank capacity                                      | 34 gal (129 L)                            |
| Hydraulic system capacity (w/tank)                           | 50 gal (189 L)                            |
| Tires  |   |
| 13 x 24 in - 12 ply, calcium chloride filled rock lug tires  |   |
| 13 x 24 in - 12 ply, foam-filled rock lug tires              |   |
| 13 x 24 in - 12 ply, foam-filled rough terrain tires         |   |
| Forks and Attachment Holder Plate                            |   |
| Length   | 48" (1.22 m)                              |
| Fork cross-section   | 2" x 4" (51 mm x 101 mm)                  |
| Attachments and Fork Options                                 |   |
| Cubing tines   | Set of four                               |
| Full taper forks   | 60" (1.52 m)                              |
| Lumber forks   | 60" (1.52 m)                              |
| Pallet forks   | 60" & 72" (1.52 & 1.83 m)                 |
| Wide fork frames   | 60" & 72" (1.52 & 1.83 m)                 |
| Rotating fork frames   | 48", 60", & 72" (1.22, 1.52, & 1.83 m)    |
| 45° Swing fork frames  | 60" & 72" (1.52 & 1.83 m)                 |
| Rubbish bucket   | 1 yd <sup>3</sup> (0.76 m <sup>3</sup> )  |
| Variable reach truss boom                                    |   |
| Quick switch attachment                                      |   |

## Operating Cab

Structure conforms to ISO 3471 (ROPS) and ISO 3449 (FOPS)

Optional enclosed cab, heater and air conditioning

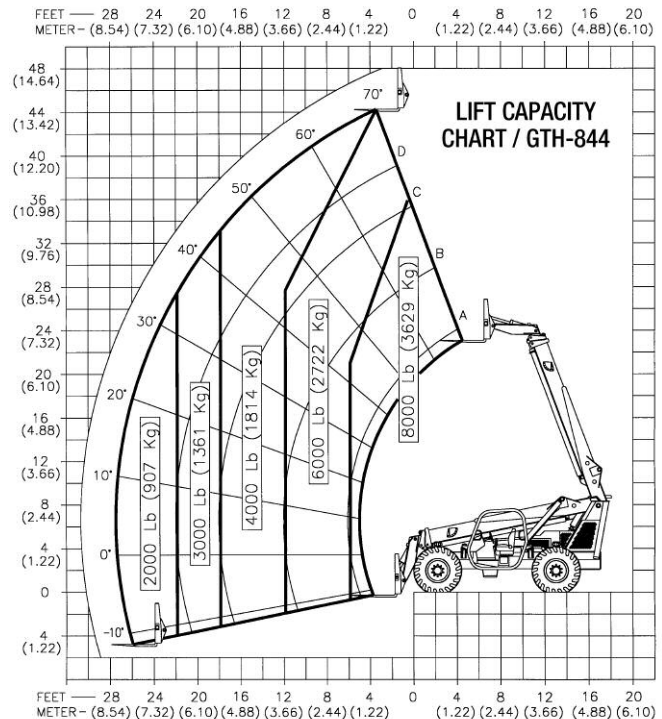
## Standards Compliance

ASME B 56.6, ISO 3471, ISO 3449

## Dimensions with Boom Retracted and Down

|                               |   |
|-------------------------------|---|
| Overall L x W x H             | 20' x 8' 6" x 8' 11" (6.10 x 2.59 x 2.72 m) |
| Wheelbase                     | 10' 10" (3.30 m)                            |
| Turning radius, outside (4WS) | 14' 9" (4.50 m)                             |
| Ground clearance (center)     | 1' 5" (0.43 m)                              |

## Working Ranges and Lift Capacities



### Terex Construction Americas (SALES)

8800 Rostin Road  
Southaven, MS 38671  
USA  
TEL 662-393-1800 SALES 866-837-3923  
FAX 662-393-1700 EMAIL sales@terexca.com  
WEB terex.com

### Genie Industries, Inc. (WARRANTY, PARTS, SERVICE, & SUPPORT)

A Terex Company  
18340 NE 76th Street  
Redmond, WA 98073  
PARTS & TECH SUPPORT 877-367-5606  
FAX 888-274-6192  
WEB genieindustries.com

For more information, product demonstration, or details on purchase, lease and rental plans, please contact your local Terex dealer.

Effective Date: May 1, 2007. Product specifications and prices are subject to change without notice or obligation. The photographs and/or drawings in this document are for illustrative purposes only. Refer to the appropriate Operator's Manual for instructions on the proper use of this equipment. Failure to follow the appropriate Operator's Manual when using our equipment or to otherwise act irresponsibly may result in serious injury or death. The only warranty applicable to our equipment is the standard written warranty applicable to the particular product and sale and Terex makes no other warranty, express or implied. Products and services listed may be trademarks, service marks or trade-names of Terex Corporation and/or its subsidiaries in the USA and other countries and all rights are reserved. Terex® is a registered trademark of Terex Corporation in the USA and many other countries. Copyright © 2007 Terex Corporation.