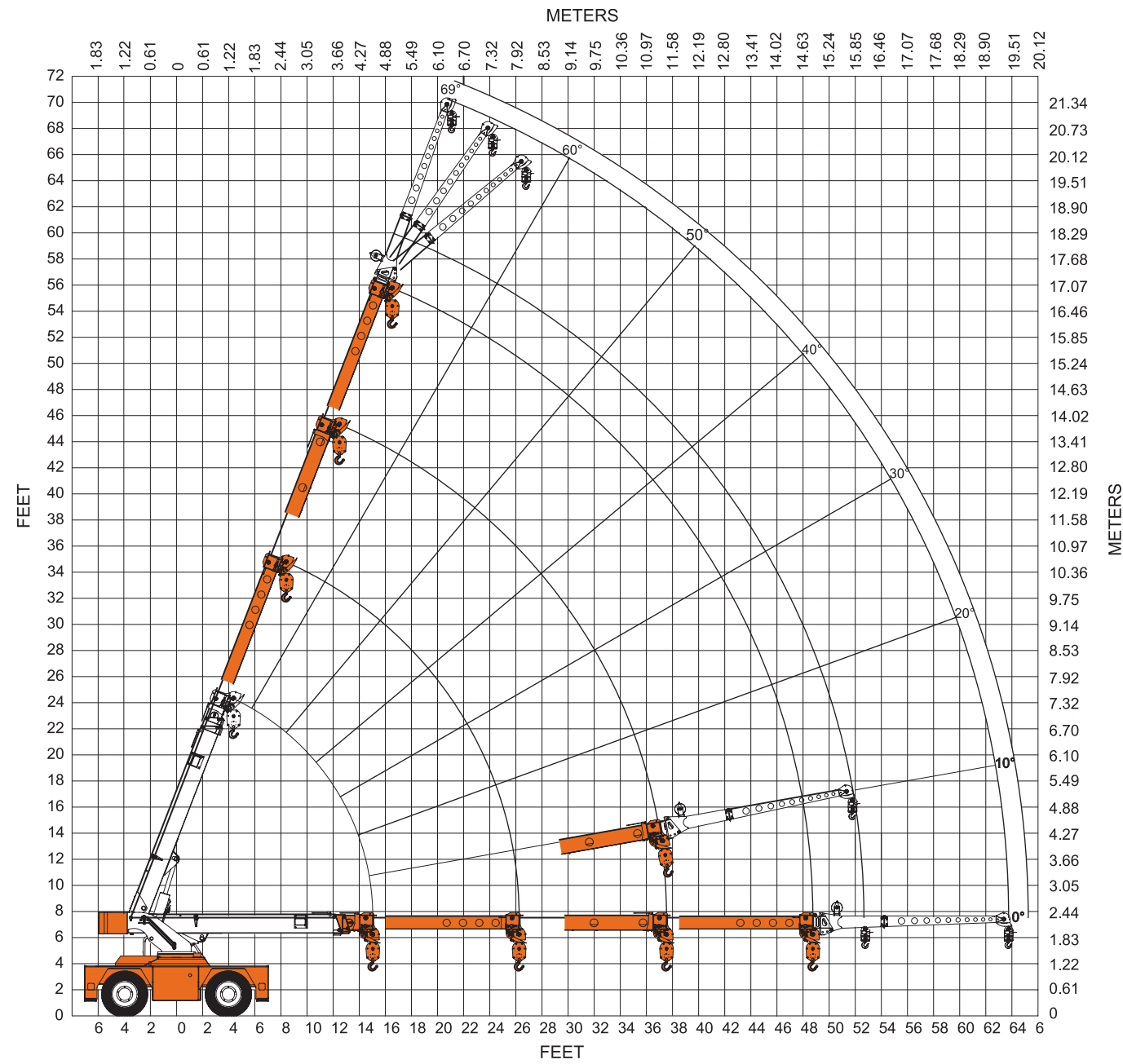




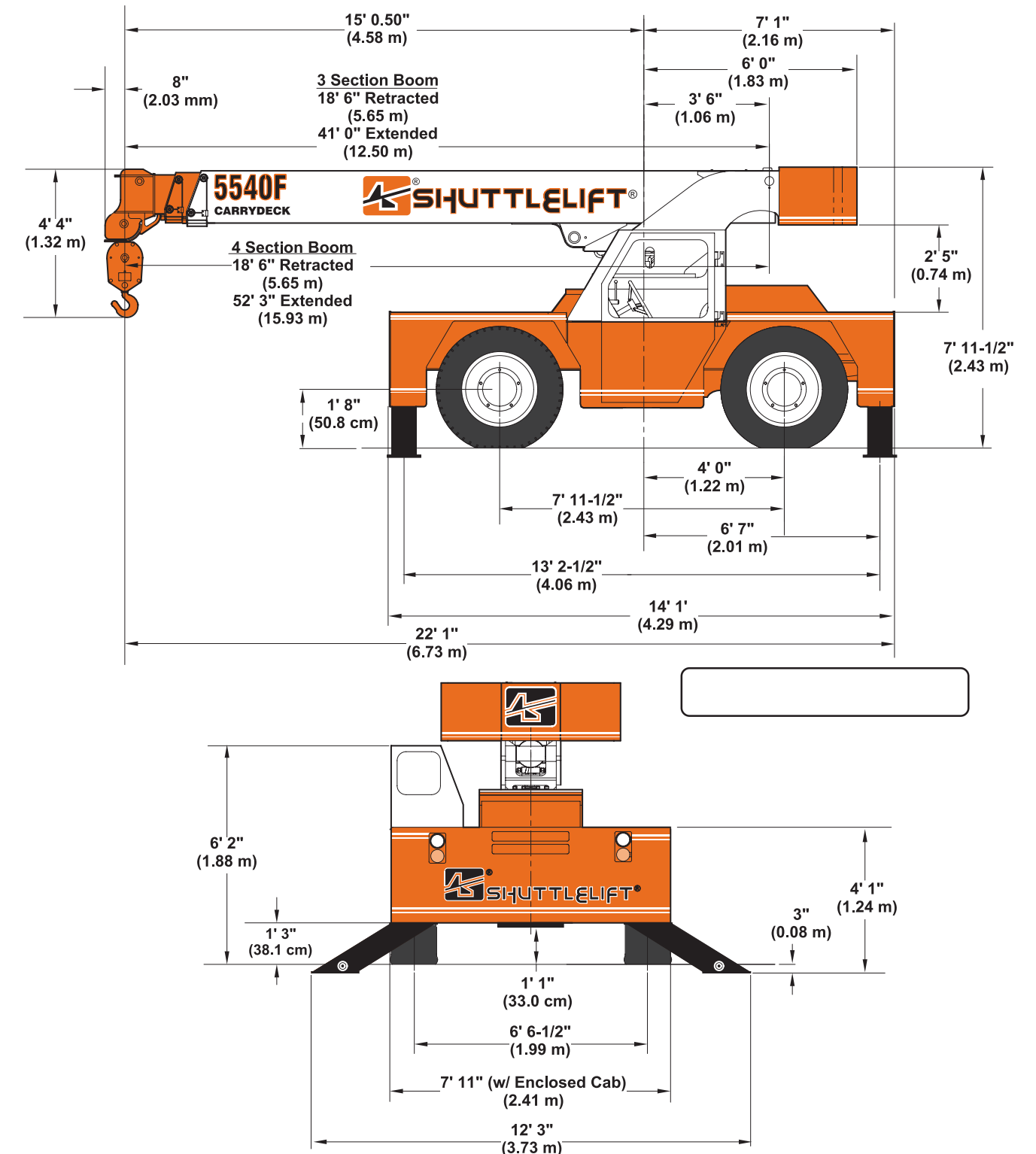
Range Chart



5540F 3 SECTION and 4 SECTION BOOMS WITH 15' (4.6 M) BOOM EXTENSION

SHUTTLELIFT® Carrydeck® Industrial Cranes

MODEL 5540F 15 TON (13 600 KG)



Manitowoc
Crane Group
Manitowoc Crane Group - Americas
Shady Grove, Pennsylvania Facility
Tel: [(Int + 001) 717 597 8121]
Fax: [(Int + 001) 717 597 4062]
www.manitowoccrane.com

Constant improvement and engineering progress make it necessary that we reserve the right to make specification, equipment, and price changes without notice. Illustrations shown may include optional equipment and accessories, and may not include all standard equipment.

Specifications

GENERAL INFORMATION

Unit weight.....26,500 lb. (12 020 kg)
 Boom elevation 0° - 69°
 Outrigger pad size10.75 in. x 16.50 in.
 (273 mm x 419 mm)

SERVICE CAPACITIES

Fuel tank.....40 gal. (151.4 L)
 Hydraulic system30 gal. (113.6 L)
 Hydraulic tank.....40 gal. (151.4 L)

WINCHES

Main winch:
 Drum diameter9.75 in. (248 mm)
 Wire rope diameter 1/2 in.(12.7 mm)
 6 x 19 EIPS-IWRC wire rope
 Wire rope length:
 3-Section Boom 240 ft. (73.0 m)
 4-Section Boom 290 ft. (88.4 m)
 Line speed (average) 126 fpm (38.4 m/min)
 Line pull, bare drum 12,000 lb. (5448 kg)
 Note: Maximum permissible
 single line pull7,500 lb. (3402 kg)
 Hydraulic recessed winch (optional):
 Drum diameter 4 in. (102 mm)
 Wire rope diameter7/16 in. (11 mm)
 Wire rope length..... 115 ft.(35 m)
 Line speed, first layer 26 fpm (7.9 m/min)
 Line pull, bare drum 10,000 lb. (4536 kg)

STANDARD EQUIPMENT

- Hydraulic Boom, 5540F:
 3 section, 18 ft. 6 in. to 41 ft. 0 in. (5.63 m to 12.50 m) from boom pivot pin to boom head pin; 69° boom elevation
- 2 wheel steer/4 wheel steer/crab steer
- 4 speed synchromesh transmission
- 2 wheel drive
- Left and right side outrigger controls
- Boom angle indicators (2)
- Anti-skid deck surface
- Double blocking crowd out, winch in and luff down kickout
- Electric horn
- Lights-head, tail, rear work, stop, and turn signals
- Engine hourmeter
- All steel cab structure
- Adjustable operator's seat with seat belt
- Engine - Cummins 4B3.3 diesel engine
- Front and rear tie down
- Backup alarm
- Wireless load Indicator
- 1 year, 2000 hour warranty (parts and labor), and 5 year structural warranty
- Outriggers - One stage hydraulic telescoping box - front and rear
- 15 ton (13.6 metric ton) double sheave, quick reave drop block
- Rope packer
- All load carrying cylinders include load hold check valves
- Tool box
- Fire extinguisher

OPTIONAL EQUIPMENT

- Manually pinned 4 section boom, 18 ft. 6 in. to 52 ft. 3 in. (5.63 m to 15.93 m) from boom pivot pin to boom head pin; 69° boom elevation
- Enclosed cab with windshield wiper and sliding right side window, and heater and defroster.
- Suspension seat
- Independent outrigger controls (four controls)
- GM dual fuel engine with shutdown feature
- Four-wheel drive with oscillating rear axle (1.5°)
- 2-wheel, 4-wheel and crab steer with electronic self-alignment.
- Rough terrain package with oscillating rear axle (4°) and axle lockouts - 4WD only
- CE compliance (see Note)

ACCESSORIES AND ATTACHMENTS

- Cold start kit (Ether injector and second battery)
- Load moment indicator (LMI) system
- Wireless rated capacity limiter (RCL)
- Flashing amber strobe light
- Rear hitch (pintle)
- Front hitch (pintle)
- Swing away boom extension - 15 ft. (4.6 m)
- Offsettable swing away boom extension -15 ft. (4.6 m)
- Single part line down haul block
- Hydraulic recessed winch
- Spare wheel and tire
- Engine shut down feature (diesel)
- Dual rearview mirrors
- Spark arrestor
- Foam filled tires
- Lifting lugs (four)
- Catalytic converter for diesel engine
- 3 ton capacity searcher hook
- Engine block heater
- Head and tail light guards

HYDRAULIC SYSTEM

Swing system 360° continuous swing system has positive operator control
 Swing speedcontinuous at 2.1 rpm
 System pressure..... 3500 psi (241.3 bars)

HYDRAULIC CYLINDERS

CYCLE TIMES
 Hoist Cylinder (full stroke):
 Extend..... 60 sec..... 17 sec.
 Retract 54 sec..... 14 sec.
 Telescope Cylinder (full stroke):
 Extend..... 132 sec..... 38 sec.
 Retract 85 sec..... 22 sec.
 Outriggers (individual):
 Down 11 sec..... 3 sec.
 Up 9 sec..... 3 sec.

TIRE SIZE

385/65R22.5 radial, high traction tread

FRONT AXLE

Rigid mounted planetary drive/steer with limited slip differential.

DRAWBAR PULL

Unit equipped with 385/65R22.5 tires, diesel engine and no load on deck:
 1st gear 19, 770 lb. (8968 kg)
 2nd gear 13,000 lb. (5897kg)
 3rd gear 7,065 lb. (3205 kg)
 4th gear 4,305 lb. (1954 kg)

REAR AXLE

Two-Wheel Drive
 Steer axle pin mounted.
 Four-Wheel Drive (optional)
 Planetary drive/steer axle with 1.5° of oscillation, or 4° of oscillation

BRAKES

Service Brakes Front and rear, internal wet disc, hydraulic actuated
 Parking Brake Spring applied, hydraulic released

TURNING SPECIFICATIONS

Turning radius: to center line of outside wheels
 Two-wheel steer21 ft. 6 in. (6.55 m)
 Four-wheel steer 12 ft. 4in. (3.76 m)

ENGINE

Standard (Diesel):
 Make and model Cummins 4B3.3
 Horsepower......85 @ 2600 rpm
 (63 kw @ 2600 rpm)
 Optional (Dual Fuel)
 Make and model GM 4.3L EFI V6,US EPA & CARB 2004 certified
 Horsepower (Propane)......101 @2500 rpm
 (75.3 kw @ 2500 rpm)

ELECTRICAL

Starting system.....12 volt electric
 Battery (1).....820 CCA @ 0° F (-18° C)
 Alternator..... 63 amp

TRANSMISSION

Typesynchromesh transmission
 4 speed forward/reverse
 Unit standard with transmission oil cooler and filter

TRAVEL SPEEDS

Standard tires:
 1st gear3.7 m.p.h. (6.0 km/h)
 2nd gear5.8 m.p.h. (9.3 km/h)
 3rd gear11.8 m.p.h. (19.0 km/h)
 4th gear:14.5 m.p.h. (23.3 km/h)

MAXIMUM GRADEABILITY (Paved Surface) - Calculated

1st gear (calculated, standard tires, diesel engine):
 No load 73%
 20,000 lb (9072 kg) load 41%

Note: All specifications are stated in accordance with PCSA and ANSI B30.5 definitions, SAE standards or recommended practices, where applicable.

Note: CE compliance will require unit modifications along with a derated load capacity chart. Contact factory.

Rated Load Capacities

Operating Radius	3-Section Boom					
	On Outriggers		On Rubber			
	Front	360°	Front	360°		
6' (1.8 m)	30,000 lb. (13 610 kg)	30,000 lb. (13 610 kg)	17,000 lb. (7710 kg)	17,000 lb. (7710 kg)		
8' (2.4 m)	26,200 lb. (11 885 kg)	26,200 lb. (11 885 kg)	13,500 lb. (6125 kg)	14,600 lb. (6620 kg)		
10' (3.0 m)	22,300 lb. (10 115 kg)	22,300 lb. (10 115 kg)	10,700 lb. (4845 kg)	10,880 lb. (4935 kg)		
12' (3.7 m)	18,600 lb. (8435 kg)	18,600 lb. (8435 kg)	8,710 lb. (3950 kg)	8,100 lb. (3675 kg)		
14' (4.3 m)	14,800 lb. (6715 kg)	14,800 lb. (6715 kg)	7,210 lb. (3270 kg)	6,000 lb. (2720 kg)		
15' (4.6 m)	13,000 lb. (5900 kg)	13,000 lb. (5900 kg)	6,600 lb. (2995 kg)	5,250 lb. (2380 kg)		
16' (4.9 m)	12,200 lb. (5535 kg)	12,200 lb. (5535 kg)	6,060 lb. (2750 kg)	4,780 lb. (2160 kg)		
18' (5.5 m)	10,800 lb. (4900 kg)	10,800 lb. (4900 kg)	5,120 lb. (2260 kg)	3,900 lb. (1770 kg)		
20' (6.1 m)	9,630 lb. (4370 kg)	9,180 lb. (4165 kg)	4,370 lb. (1980 kg)	3,190 lb. (1440 kg)		
22' (6.7 m)	8,640 lb. (3920 kg)	7,480 lb. (3395 kg)	3,710 lb. (1685 kg)	2,660 lb. (1210 kg)		
24' (7.5 m)	7,790 lb. (3535 kg)	6,210 lb. (2815 kg)	3,070 lb. (1395 kg)	2,200 lb. (1000 kg)		
26' (7.9 m)	7,040 lb. (3195 kg)	5,310 lb. (2410 kg)	2,620 lb. (1190 kg)	1,820 lb. (825 kg)		
28' (8.5 m)	6,420 lb. (2910 kg)	4,740 lb. (2150 kg)	2,260 lb. (1025 kg)	1,530 lb. (695 kg)		
30' (9.1 m)	5,700 lb. (2585 kg)	4,290 lb. (1945 kg)	1,990 lb. (905 kg)	1,320 lb. (600 kg)		
32' (9.8 m)	5,060 lb. (2295 kg)	3,920 lb. (1780 kg)	1,790 lb. (810 kg)	1,160 lb. (525 kg)		
34' (10.4 m)	4,510 lb. (2045 kg)	3,580 lb. (1625 kg)	1,610 lb. (730 kg)	1,040 lb. (470 kg)		
36' (11.0 m)	4,020 lb. (1825 kg)	3,260 lb. (1480 kg)	1,460 lb. (660 kg)	930 lb. (420 kg)		
37.50' (11.4 m)	3,700 lb. (1680 kg)	3,060 lb. (1387 kg)	1,370 lb. (620 kg)	860 lb. (390 kg)		
MAIN BOOM	40'	3,480 lb. (1580 kg)	2,860 lb. (1300 kg)	1,270 lb. (575 kg)	800 lb. (365 kg)	
	42'	3,310 lb. (1500 kg)	2,700 lb. (1225 kg)	1,190 lb. (540 kg)	740 lb. (335 kg)	
	44'	3,130 lb. (1420 kg)	2,560 lb. (1160 kg)	1,120 lb. (510 kg)	690 lb. (315 kg)	
	46'	2,960 lb. (1345 kg)	2,410 lb. (1095 kg)	1,040 lb. (470 kg)	640 lb. (290 kg)	
	48.8'	2,710 lb. (1230 kg)	2,210 lb. (1000 kg)	930 lb. (420 kg)	570 lb. (260 kg)	
	52.5'	2,380 lb. (1080 kg)	1,940 lb. (880 kg)	790 lb. (360 kg)	480 lb. (220 kg)	
	BOOM EXTENSION	40'	3,480 lb. (1580 kg)	2,860 lb. (1300 kg)	1,270 lb. (575 kg)	800 lb. (365 kg)
		42'	3,310 lb. (1500 kg)	2,700 lb. (1225 kg)	1,190 lb. (540 kg)	740 lb. (335 kg)
		44'	3,130 lb. (1420 kg)	2,560 lb. (1160 kg)	1,120 lb. (510 kg)	690 lb. (315 kg)
		46'	2,960 lb. (1345 kg)	2,410 lb. (1095 kg)	1,040 lb. (470 kg)	640 lb. (290 kg)
48.8'		2,710 lb. (1230 kg)	2,210 lb. (1000 kg)	930 lb. (420 kg)	570 lb. (260 kg)	
52.5'		2,380 lb. (1080 kg)	1,940 lb. (880 kg)	790 lb. (360 kg)	480 lb. (220 kg)	
69°		6,000 lb. (2720 kg)	3,900 lb. (1770 kg)	2,800 lb. (1270 kg)		
65°		5,000 lb. (2270 kg)	3,500 lb. (1590 kg)	2,550 lb. (1155 kg)		
60°		4,300 lb. (1950 kg)	3,150 lb. (1430 kg)	2,350 lb. (1065 kg)		
55°		3,800 lb. (1725 kg)	2,850 lb. (1290 kg)	2,200 lb. (995 kg)		
50°	3,400 lb. (1540 kg)	2,600 lb. (1180 kg)	2,100 lb. (955 kg)			
45°	3,050 lb. (1385 kg)	2,400 lb. (1090 kg)	2,000 lb. (905 kg)			
40°	2,800 lb. (1270 kg)	2,250 lb. (1020 kg)	1,950 lb. (885 kg)			
35°	2,600 lb. (1180 kg)	2,150 lb. (975 kg)	1,900 lb. (860 kg)			
30°	2,400 lb. (1090 kg)	2,080 lb. (945 kg)	1,850 lb. (840 kg)			
25°	2,300 lb. (1045 kg)	2,050 lb. (930 kg)				
20°	2,200 lb. (1000 kg)	2,000 lb. (905 kg)				
15°	2,100 lb. (955 kg)	1,950 lb. (885 kg)				
10°	2,050 lb. (930 kg)					
5°	2,020 lb. (915 kg)					
0°	2,000 lb. (905 kg)					

SHADED AREAS ARE GOVERNED BY STRUCTURAL STRENGTH. DO NOT RELY ON TIPPING. BOOM EXTENSION CAPACITY LIMITED BY BOTH THE STRUCTURAL CAPACITY CHART AND THE MAIN CAPACITY CHART

RATING REDUCTIONS FOR INSTALLED LOAD HANDLING DEVICES		
DEVICE	FROM MAIN BOOM	FROM BOOM EXTENSION
MAIN BLOCK	210 LB (95.3 kg)	N/A
HOOK & BALL	100 LB (45.4 Kkg)	100 (45.4 kg)
EXTENSION - STOWED	NO DEDUCTION	N/A
EXTENSION - DEPLOYED	700 LB (318 kg)	NO REDUCTION

NOTE: These charts are only a guide and should not be used to operate the crane. The individual crane load charts, operating instructions and other instructional information must be read and understood prior to operating the crane.

Rated Load Capacities (continued)

Operating Radius	4 Section Boom (4th Section Retracted)				4 Section Boom (4th Section Extended)			
	On Outriggers		On Rubber		On Outriggers		On Rubber	
	Front	360°	Front	360°	Front	360°	Front	360°
6'	30,000 lb. (13 610 kg)	30,000 lb. (13 610 kg)	17,000 lb. (7710 kg)	17,000 lb. (7710 kg)				
8'	26,200 lb. (11 885 kg)	26,200 lb. (11 885 kg)	13,500 lb. (6125 kg)	14,600 lb. (6620 kg)	11,000 lb. (4990 kg)	11,000 lb. (4990 kg)	11,000 lb. (4990 kg)	11,000 lb. (4990 kg)
10'	22,300 lb. (10 115 kg)	22,300 lb. (10 115 kg)	10,700 lb. (4855 kg)	11,000 lb. (4990 kg)	10,700 lb. (4855 kg)	10,700 lb. (4855 kg)	10,700 lb. (4855 kg)	10,700 lb. (4855 kg)
12'	18,600 lb. (8440 kg)	18,600 lb. (8440 kg)	8,710 lb. (3950 kg)	7,650 lb. (3470 kg)	9,250 lb. (4195 kg)	9,250 lb. (4195 kg)	9,250 lb. (4195 kg)	9,250 lb. (4195 kg)
14'	14,800 lb. (6715 kg)	14,800 lb. (6715 kg)	7,210 lb. (3270 kg)	5,480 lb. (2485 kg)	8,390 lb. (3805 kg)	8,390 lb. (3805 kg)	7,760 lb. (3520 kg)	7,500 lb. (3400 kg)
15'	13,000 lb. (5900 kg)	13,000 lb. (5900 kg)	6,600 lb. (2995 kg)	4,890 lb. (2220 kg)	8,200 lb. (3720 kg)	8,200 lb. (3720 kg)	7,150 lb. (3250 kg)	6,080 lb. (2760 kg)
16'	12,200 lb. (5535 kg)	12,200 lb. (5535 kg)	6,060 lb. (2750 kg)	4,500 lb. (2040 kg)	8,110 lb. (3680 kg)	8,110 lb. (3680 kg)	6,610 lb. (3000 kg)	5,510 lb. (2500 kg)
18'	10,800 lb. (4900 kg)	10,600 lb. (4810 kg)	4,950 lb. (2245 kg)	3,750 lb. (1700 kg)	7,950 lb. (3605 kg)	7,950 lb. (3605 kg)	5,680 lb. (2575 kg)	4,500 lb. (2040 kg)
20'	9,630 lb. (4370 kg)	8,630 lb. (3915 kg)	3,980 lb. (1805 kg)	3,080 kg)	7,820 lb. (3550 kg)	7,820 lb. (3550 kg)	4,730 lb. (2145 kg)	3,560 lb. (1615 kg)
22'	8,640 lb. (3920 kg)	7,350 lb. (3335 kg)	3,230 lb. (1465 kg)	2,460 lb. (1115 kg)	7,710 lb. (3500 kg)	7,710 lb. (3500 kg)	3,980 lb. (1805 kg)	3,000 lb. (1360 kg)
24'	7,790 lb. (3535 kg)	6,460 lb. (2930 kg)	2,720 lb. (1235 kg)	1,990 lb. (900 kg)	7,630 lb. (3460 kg)	7,270 lb. (3300 kg)	3,410 lb. (1545 kg)	2,520 lb. (1145 kg)
26'	6,800 lb. (3085 kg)	5,700 lb. (2585 kg)	2,360 lb. (1070 kg)	1,610 lb. (730 kg)	7,100 lb. (3220 kg)	6,330 lb. (2870 kg)	2,940 lb. (1335 kg)	2,150 lb. (975 kg)
28'	5,820 lb. (2640 kg)	5,040 lb. (2285 kg)	2,100 lb. (955 kg)	1,410 lb. (640 kg)	6,590 lb. (2990 kg)	5,420 lb. (2450 kg)	2,550 lb. (1150 kg)	1,840 lb. (835 kg)
30'	5,020 lb. (2280 kg)	4,420 lb. (2005 kg)	1,880 lb. (855 kg)	1,220 lb. (555 kg)	5,710 lb. (2590 kg)	4,760 lb. (2160 kg)	2,190 lb. (995 kg)	1,580 lb. (715 kg)
32'	4,400 lb. (1995 kg)	3,950 lb. (1790 kg)	1,650 lb. (750 kg)	1,070 lb. (485 kg)	5,180 lb. (2350 kg)	4,080 lb. (1850 kg)	1,880 lb. (850 kg)	1,360 lb. (615 kg)
34'	3,930 lb. (1785 kg)	3,570 lb. (1620 kg)	1,460 lb. (660 kg)	920 lb. (420 kg)	4,680 lb. (2125 kg)	3,570 lb. (1620 kg)	1,600 lb. (725 kg)	1,160 lb. (525 kg)
36'	3,510 lb. (1590 kg)	3,190 lb. (1450 kg)	1,280 lb. (580 kg)	770 lb. (350 kg)	4,250 lb. (1930 kg)	3,190 lb. (1445 kg)	1,370 lb. (620 kg)	990 lb. (450 kg)
37.50'	3,210 lb. (1455 kg)	2,890 lb. (1310 kg)	1,180 lb. (535 kg)	680 lb. (310 kg)	3,830 lb. (1740 kg)	2,970 lb. (1345 kg)	1,240 lb. (560 kg)	880 lb. (400 kg)
40'	2,950 lb. (1340 kg)	2,600 lb. (1180 kg)	1,070 lb. (485 kg)	610 lb. (275 kg)	3,400 lb. (1540 kg)	2,700 lb. (1225 kg)	1,070 lb. (485 kg)	740 lb. (335 kg)
42'	2,760 lb. (1250 kg)	2,430 lb. (1100 kg)	970 lb. (440 kg)	550 lb. (250 kg)	3,150 lb. (1430 kg)	2,490 lb. (1130 kg)	960 lb. (435 kg)	630 lb. (285 kg)
44'	2,590 lb. (1175 kg)	2,250 lb. (1020 kg)	890 lb. (405 kg)	500 lb. (225 kg)	2,890 lb. (1310 kg)	2,300 lb. (1045 kg)	870 lb. (395 kg)	540 lb. (245 kg)
46'	2,430 lb. (1100 kg)	2,090 lb. (950 kg)	800 lb. (365 kg)	450 lb. (205 kg)	2,630 lb. (1190 kg)	2,130 lb. (965 kg)	790 lb. (360 kg)	470 lb. (215 kg)
48.75'	2,240 lb. (1015 kg)	1,850 lb. (840 kg)	680 lb. (310 kg)	380 lb. (170 kg)	2,320 lb. (1050 kg)	1,930 lb. (875 kg)	710 lb. (320 kg)	370 lb. (165 kg)
52.50'	2,030 lb. (920 kg)	1,480 lb. (670 kg)						